



**FAIRMONT EMPRESS**  

---

**VICTORIA, CANADA**







## CANADA'S CASTLE ON THE COAST

Recognized as one of the 21 Most Iconic Hotels in the World by National Geographic Traveler, and honoured by Travel + Leisure as a Top 10 Canadian hotel, Fairmont Empress graces Victoria's sparkling Inner Harbour with an iconic presence. This Forbes Four-Star, 4-Diamond property offers 431 beautifully appointed guest rooms and suites, and expansive meeting and wedding space adjacent to the Victoria Conference Centre. Located on the picturesque West Coast of Canada, Fairmont Empress is the perfect home base to explore the natural beauty of Vancouver Island.





## WHERE MODERN MEETS ICONIC

Fairmont Empress recently completed a \$60+ Million restoration that celebrates its proud history while moving the hotel into a new era of modern luxury. This dramatic transformation features thoughtful details and breathtaking designs inspired by the stunning West Coast and Vancouver Island's lush natural beauty. Guests now experience a modern twist on a timeless classic, with a harmonious balance between historic architecture and contemporary design.





## GUEST ROOMS & SUITES

Canada's Castle on the Coast offers a unique hotel experience with 431 beautifully restored guest rooms and suites, each one featuring classic architecture and contemporary, elegant touches. Thoughtful details and bold accents capture the historic essence of Fairmont Empress, creating a modern luxury experience.





## ALL THAT GLITTERS IS ON FAIRMONT GOLD

Distinguished as an exclusive hotel within a hotel, Fairmont Gold at Fairmont Empress is an exceptional choice for discerning travelers. Boasting a new sleek, sophisticated design, Fairmont Empress' newly renovated Gold Floor defines modern elegance. Fairmont Gold offers private check-in, exclusive concierge, 88 luxurious guest rooms and suites, and the city's finest inner harbour view from the private Fairmont Gold terrace. Carefully curated by our Executive Chef, the Fairmont Gold Lounge offers an abundance of unique and flavourful choices. Offerings include complimentary continental breakfast, canapés, and late-night sweet treats, and a self-serve honour bar featuring top-shelf spirits and signature cocktails.

---

### FAIRMONT GOLD ROOM AMENITIES

- Breakfast, evening canapés and late-night sweet treats
- Access to the private Fairmont Gold Lounge and Terrace
- Private check-in and check-out
- Luxury accommodations
- Private Concierge
- Welcome amenity





## MEMORABLE MEETINGS IN AN UNFORGETTABLE SETTING

Since opening in 1908, Fairmont Empress has been Victoria's top venue for meetings and events, and for good reason. We consistently deliver impeccable service, delicious culinary experiences, and the attention to detail guests have come to know and trust. From storied meeting spaces and venues deeply rooted in history, to state of the art facilities and Forbes Four Star service standards, the Empress team specializes in creating exceptional events tailored to your needs.

---

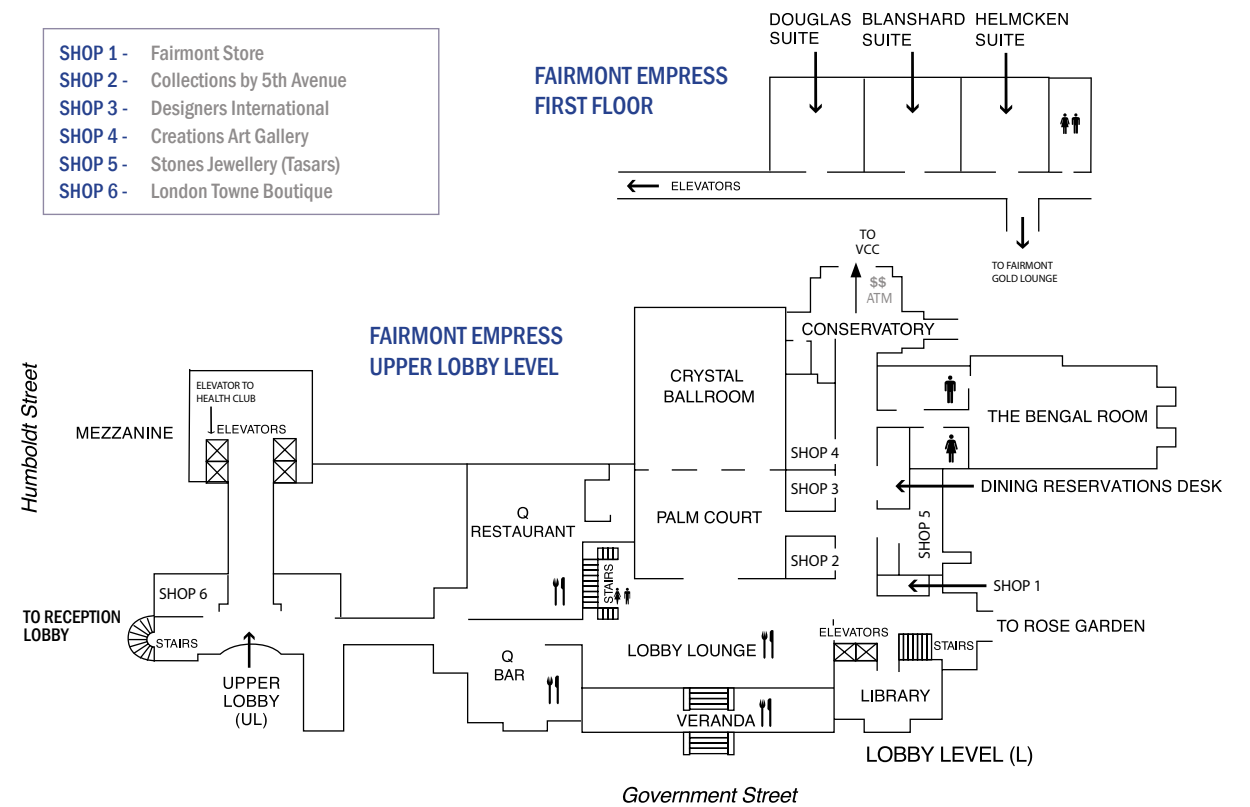
### MEETING AWARDS & ACCOLADES

- Best meetings Hotel in Western Canada  
-Meetings + Incentives Travel Magazine
- Best BC Hotel with Meeting and Event Space  
-Northwest Meetings + Events Magazine
- 21 Most Iconic Hotels in the World  
-National Geographic Traveler
- Top 10 City Hotels in Canada  
-Travel + Leisure Magazine
- Best Hotel in Canada  
-Hotel-Addicts.com

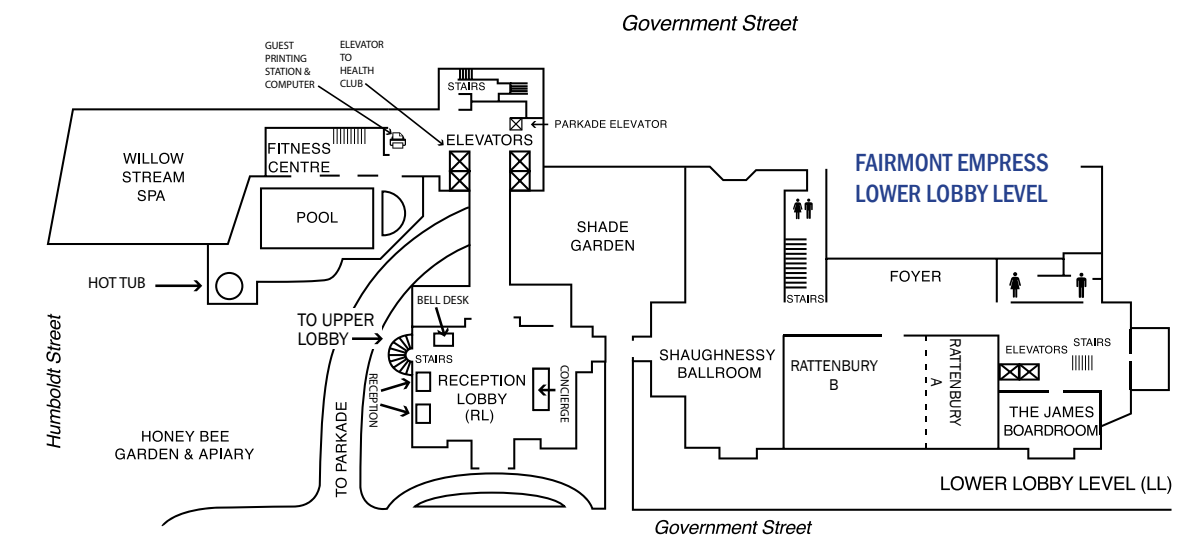




- SHOP 1 - Fairmont Store
- SHOP 2 - Collections by 5th Avenue
- SHOP 3 - Designers International
- SHOP 4 - Creations Art Gallery
- SHOP 5 - Stones Jewellery (Tasars)
- SHOP 6 - London Towne Boutique



	DIMENSIONS   AREA		SQUARE		HEIGHT		CAPACITY BY SET-UP						
	Feet	Meters	ft <sup>2</sup>	m <sup>2</sup>	Feet	Meters	T/S	C/R	BRD	H/S	U	Banq	Rec
BENGAL	71.1 x 44.7	21 x 13	2631	244								110	
CRYSTAL BALLROOM	89.7 x 49.1	29 x 14.6	4560	423	22	6.7	450	200	70	70	50	320	500
PALM COURT	61.9 x 47.8	15 x 13	2472	230	19	5.8						80	200
LIBRARY	35 x 36	11 x 5.9	794	74	16	4.9	35	20	20	15	15	30	60
RATTENBURY ROOM	46 x 84	14 x 25	3624	337	13	4	100	80	44	44	40	180	400
RATTENBURY A	46 x 47	14 x 14	2060	191	13	4	80	40	30	30	26	120	225
RATTENBURY B	46 x 37	14 x 11	1557	144	13	4	90	40	20	20	16	60	175
THE SHAUGHNESSY	92 x 35	28 x 10.6	3688	342	12	3.6	100	70	60	56	40	180	400
THE JAMES	28 x 19	2.6 x 1.8	722.9	52	13	4			20				
PRE-FUNCTION FOYER	70' x 16	21.3 x 5	1,054	98	9	2.7							100
HELMCKEN	23.2 x 25.6	8 x 4.8	512	39	9.3	2.8			10				25
BLANSHARD	23.2 x 25.6	8 x 4.8	535	39	9.3	2.8			10				25
DOUGLAS	22.8 x 25.8	8 x 4.8	630	39	9.3	2.8			10				25
ROSE GARDEN			10,000	929								200	800



[CLICK HERE TO VIEW OUR 3D FLOOR PLANS](#)





## Q AT THE EMPRESS CURATED CUISINE + COCKTAILS

Located in the heart of the Empress Hotel, in one of the most storied spaces in all of British Columbia, Q at the Empress is an essential experience in Victoria for those that love good food and imaginative cocktails. With a fresh, contemporary feel that blends harmoniously with the hotel's iconic heritage, Q Restaurant and Q Bar feature stunning harbour views, rich cherry wood ceilings and detailed moldings that honour the past, while the reimagined design and décor add a modern, elegant twist.

The culinary philosophy at Q Restaurant focuses on Pacific Northwest cuisine, using regional ingredients from land and sea, and making use of the hotel's rooftop herb and vegetable garden. Q's hyper local gastronomy is made

possible due to the strong relationships that the culinary team has with local producers, farmers, and artisans. Led by Executive Chef Morgan Wilson, our talented culinary team carefully curates each menu, which features certified sustainable seafood, local produce, and traditionally raised meats.

Recently named one of 50 Best Bars in Canada, Q Bar offers an exciting beverage menu that features a vibrant selection of signature cocktails, extensive wine list, enticing local craft beers on tap and an upscale bar food menu. Grab a seat at the bar or settle into a plush sofa and it's already destined to be unforgettable. Q Bar is the perfect place to meet, network, seal the deal or just catch up over a spirited drink.





## TEA AT THE EMPRESS STEEPED IN HISTORY

Served in the hotel's grand Lobby Lounge, Tea at the Empress is an elegant affair, steeped in twelve decades of tradition, and coveted by travelers and locals alike. A quintessentially Victorian tradition, Fairmont Empress has proudly served afternoon tea to famed royalty, celebrities, and dignitaries since 1908. Afternoon tea guests choose from 21 premium loose-leaf teas, and all

food served on the tea tier is made in house – including world famous Empress Scones (a 113-year old recipe). For celebrations and special occasions, make it a Champagne Tea, served with a glass of Veuve Clicquot Brut or Rose Champagne.





## FIND YOUR ENERGY AT WILLOW STREAM SPA

There has never been a more important time to make wellness a priority. Recognized as a Top Resort Spa by Condé Nast, and Top 100 by Spas of America, Willow Stream Spa at Fairmont Empress is a serene, luxury oasis in the heart of the city. Willow Stream Spa offers the perfect mix of signature locally

inspired experiences and relaxing favourites. Every treatment is customized to the individual needs of the guest. To maximize the spa experience, guests are encouraged to arrive early and experience the Spa Ritual, which includes Finnish style sauna, inhalation steam room, and mineral pool.